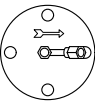
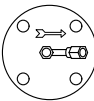
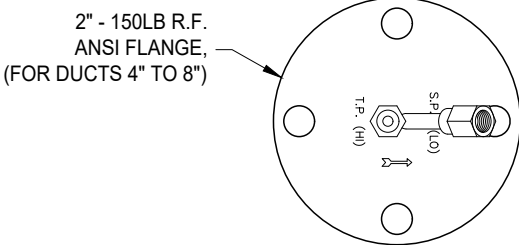
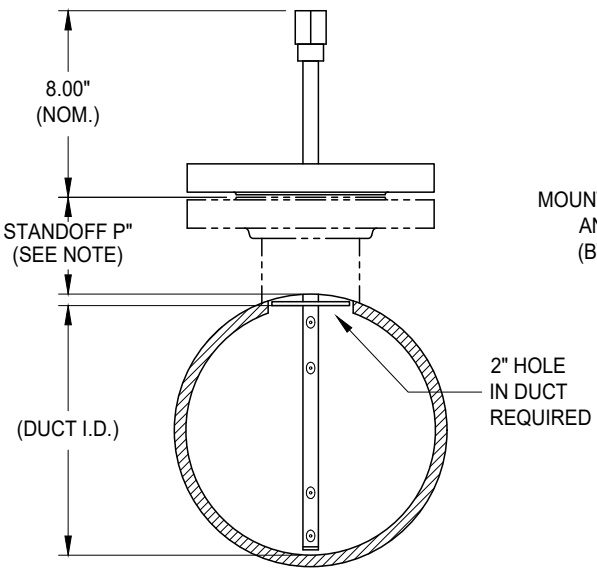
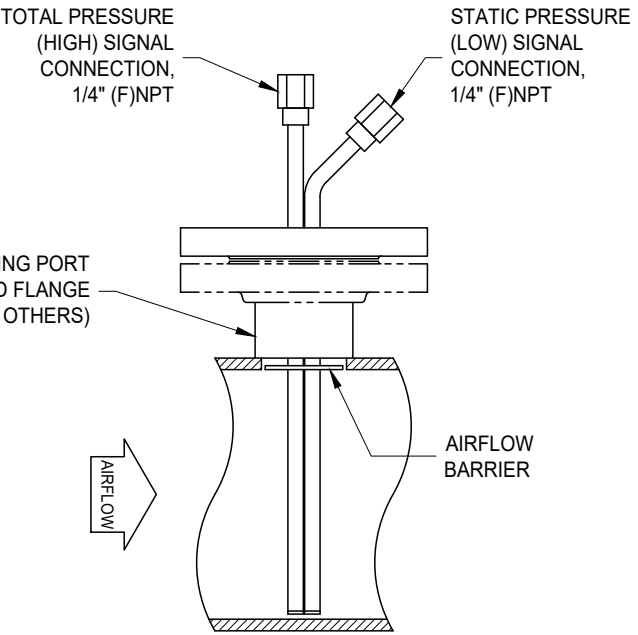


VOLU-probe / RS

WITH 2" - 150LB MOUNTING FLANGE FOR DUCTS 4" TO 8"

STANDARD CONSTRUCTION	
Probe:	3/8" O.D. tube sensing manifolds, airflow barrier, identification tag, all fabricated of Type 316 Stainless Steel.
Mounting:	2" - 150LB raised face mounting flange, Type 316 Stainless Steel. Does not include mounting hardware or gasket.
Signal Connection Fittings:	1/4" - 18 (F)NPT, Type 316 Stainless Steel
PERFORMANCE SPECIFICATIONS	
Accuracy:	2-3%; with application of a single probe coefficient, over a 5:1 turndown.
Operating Velocity:	400 - 10,000 FPM
Operating Temperature:	Continuous operation to 900 °F
Operating Humidity:	0 to 100% RH, condensing
CONSTRUCTION OPTIONS	
Flange Orientation	<input type="checkbox"/> 1-UP (default)  <input type="checkbox"/> 2-UP 
DIMENSIONAL SPECIFICATIONS	
<div style="border: 1px solid black; padding: 5px; width: fit-content;"> <p>NOTE: FLANGE STANDOFF DIMENSION 'P' MUST BE PROVIDED: _____</p> </div>	 <p style="text-align: center;">TOP VIEW</p>
 <p style="text-align: center;">FRONT VIEW</p>	 <p style="text-align: center;">SIDE VIEW</p>

P.O. Box 6358, Santa Rosa, CA 95406 (707) 544-2706
 www.airmonitor.com amcsales@airmonitor.com