

CA STATION WITH MANIFOLD CLEANOUTS

COMBUSTION AIRFLOW MEASUREMENT

CIRCULAR CONFIGURATION

STANDARD CONSTRUCTION

Casing: 7 ga. (0.179") thick carbon steel, continuously welded.
Flanges: 2" wide, 7 ga. (0.179") thick carbon steel, welded to casing.
Casing Depth: 12"
Air Straightener: 1" hexagonal cell, 3" deep, 0.022" thick, carbon steel.
Total Pressure Manifold: Type 316 stainless steel.
Static Pressure Manifold: Type 316 stainless steel.
Signal Connection Fittings: 1/2" FPT, 316 stainless steel. (Units with more than 24 total pressure sensors require 3/4" FPT.)
Manifold Cleanouts: 3/8" FPT, Type 316 stainless steel, with 3/8" MPT carbon steel plugs.

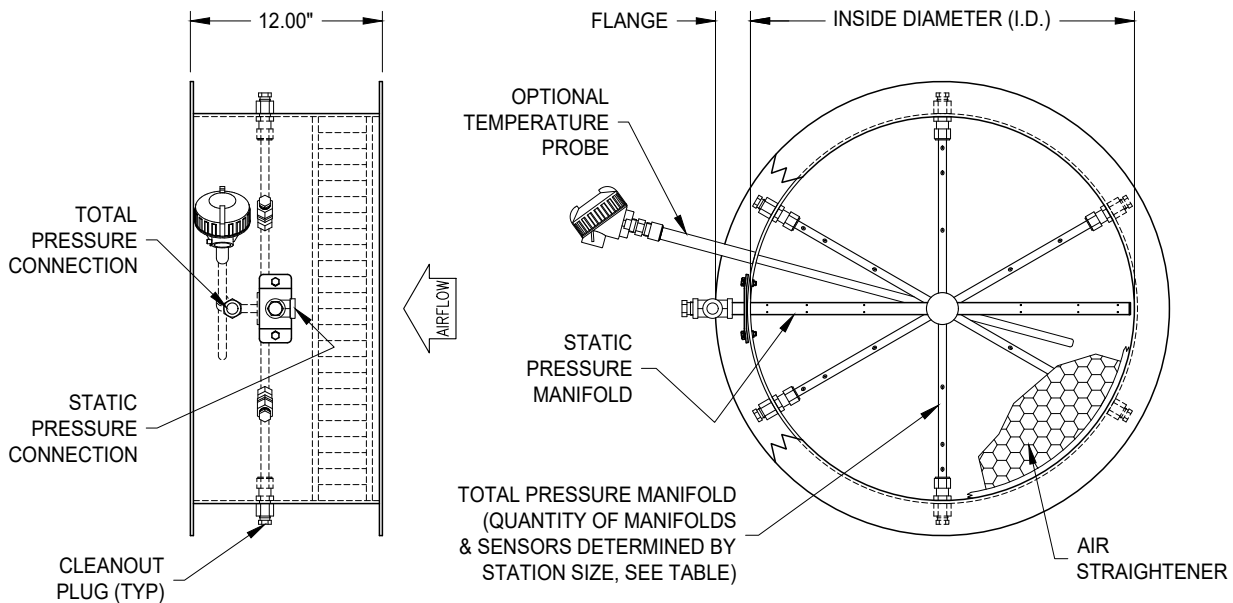
PERFORMANCE SPECIFICATIONS

Station Accuracy: ±2 to 3% of flow when installed per recommended minimum installation requirements.
Operating Velocity: 0 to 5000 FPM (standard, 0 to 8000 FPM with high velocity construction option)
Operating Temperature: -20 °F to 900 °F
Operating Humidity: 0 to 99% RH, non-condensing

OPTIONAL CONSTRUCTION

- | | | |
|--|--|---|
| <input type="checkbox"/> 1/4" thick carbon steel casing & flanges. | <input type="checkbox"/> Stainless steel air straightener. | <input type="checkbox"/> Extended casing depth. |
| <input type="checkbox"/> Extended flanges. | <input type="checkbox"/> All stainless steel construction. | <input type="checkbox"/> High velocity construction (up to 8000 FPM). |
| <input type="checkbox"/> Factory drilled alignment or bolt holes. | <input type="checkbox"/> Integral temperature probe. | <input type="checkbox"/> Integral traverse ports (requires 18" casing depth). |
| <input type="checkbox"/> Bellmouth inlet. | | |

DIMENSIONAL INFORMATION



STATION DIAMETER	QTY. OF T. P. MANIFOLDS	QTY. OF T. P. SENSORS PER MANIFOLD	QTY. OF S. P. MANIFOLDS	QTY. OF S. P. SENSORS PER MANIFOLD
8" - 12"	2	6	1	6
> 12" - 18"	2	8	1	8
> 18" - 30"	3	6	1	6

STATION DIAMETER	QTY. OF T. P. MANIFOLDS	QTY. OF T. P. SENSORS PER MANIFOLD	QTY. OF S. P. MANIFOLDS	QTY. OF S. P. SENSORS PER MANIFOLD
> 30" - 48"	3	8	1	8
> 48" - 84"	3	10	1	10
> 84"	3	12	1	12

P.O. Box 6358, Santa Rosa, CA 95406 (707) 544-2706
 www.airmonitor.com amcsales@airmonitor.com

