

LO-flo PITOT TRAVERSE STATION MODEL P

STANDARD CONSTRUCTION

Casing:	Schedule 10 Type 316 stainless steel pipe (3/4" size is Schedule 5).
Airflow Straightener:	Type 316 stainless steel.
Total Pressure Header:	Type 316 stainless steel tubing.
Static Pressure Chamber:	Type 316 stainless steel.
Casing Depth:	See Dimensional Information below.
Connection Fittings:	1/4" FPT.

PERFORMANCE SPECIFICATIONS

Operating Temperature:	Continuous operation to 900 °F.
Resistance to Flow:	0.3 times the velocity head (pressure) of the design flow rate.

CONSTRUCTION OPTIONS

Signal Fitting Adapters

- 1/4" Compression, stainless steel
- 1/2" Compression, stainless steel

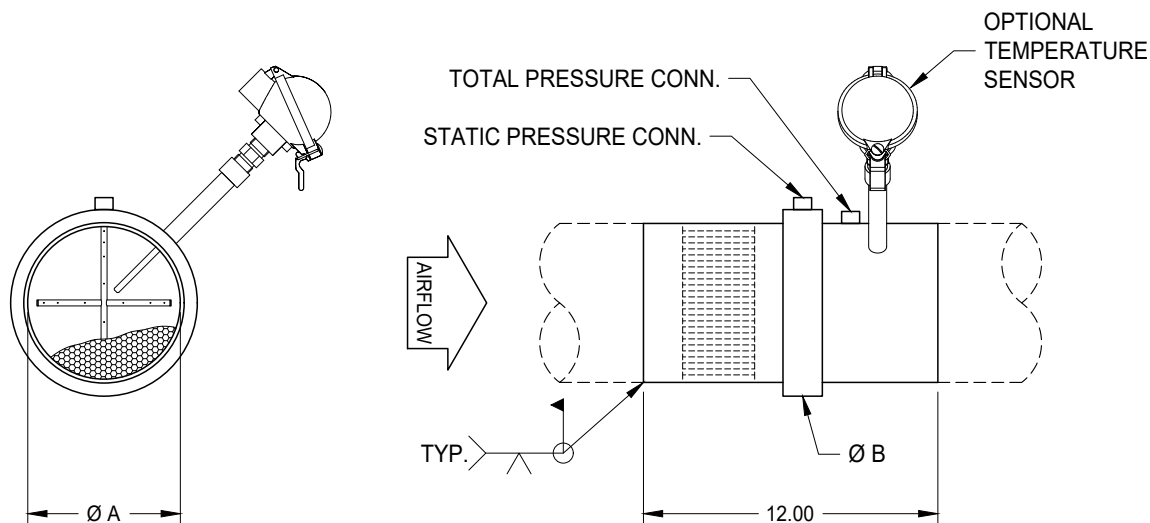
Casing

- Schedule 40, Type 316 SS pipe.

Temperature Sensor w/Transmitter

- Single-point 100 ohm, platinum RTD.

DIMENSIONAL INFORMATION



LO-flo SIZE (in)	PIPE SCHED.	Ø A" (I.D.)	Ø B" (O.D.)	QTY. OF T.P. SENSORS	QTY. OF S.P. TAPS	AIRFLOW STRAIGHTENER
.75	5	.92	1.66	4	4	1/8" x 2" DEEP
1	10	1.097	1.90	4	4	1/8" x 2" DEEP
1.25	10	1.442	2.375	6	6	1/8" x 2" DEEP
1.50	10	1.682	3.50	6	6	1/8" x 2" DEEP
2	10	2.157	3.50	8	6	1/8" x 2" DEEP
3	10	3.260	4.50	14	8	1/8" x 2" DEEP
4	10	4.260	5.563	14	8	1/4" x 3" DEEP
5	10	5.295	6.625	14	8	1/4" x 3" DEEP
6	10	6.357	7.625	14	8	1/4" x 3" DEEP
8	10	8.329	9.625	14	8	1/4" x 3" DEEP

P.O. Box 6358, Santa Rosa, CA 95406 (707) 544-2706
 www.airmonitor.com amcsales@airmonitor.com

