

ACCU-FLO / NP

NOZZLE PITOT FLOW STATION

MODEL HP

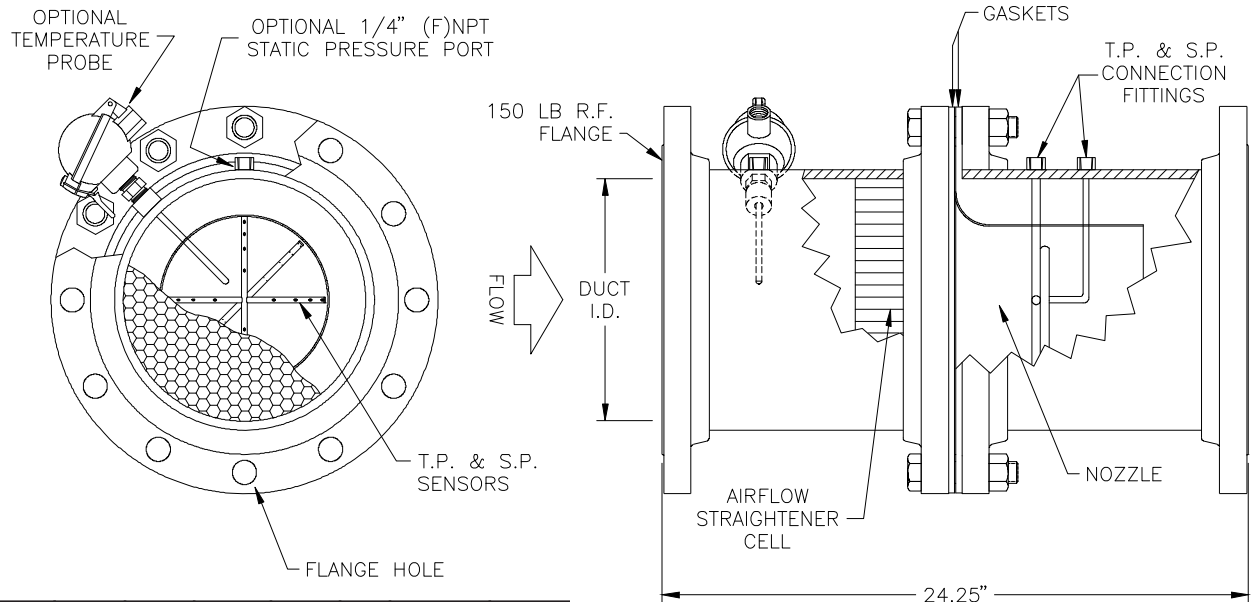
STANDARD CONSTRUCTION

Casing.	Carbon steel or stainless steel pipe. Select from Construction Options below.
Flanges.	150 lb. raised face. Carbon steel or stainless steel
Nozzle.	Type 316 stainless steel
Air Sraightener.	Hexagonal cell, Type 316 stainless steel
Total and Static Pressure Sensors.	Type 316 stainless steel
Connection Fittings.	1/4" (F)NPT, Type 316 stainless steel
Operating Temperature.	Continuous operation to 900°F
Non-Recovered Pressure Loss.	42-45% of the velocity head (pressure) for the design flow rate
Maximum Static Pressure.	Dependent upon materials of construction, operating temperature and installation Contact Factory

CONSTRUCTION OPTIONS

Casing and Flanges.	Temperature Sensor.	Static Pressure Port.
<input type="checkbox"/> Carbon Steel	<input type="checkbox"/> Single-point 100 ohm, platinum RTD.	<input type="checkbox"/> 1/4" (F)NPT
<input type="checkbox"/> Stainless Steel	<input type="checkbox"/> Single-point thermocouple.	
	<input type="checkbox"/> Multi-point thermocouple	

DIMENSIONAL SPECIFICATIONS



Nominal Duct Size	Duct I.D.	Duct Wall	Flange O.D.	Bolt Circle	Bolt Qty	Cell Hex Size	Nozzle I.D.
4"	4.03	0.237	9.0	7.50	8	1/4 x 3	2.65
6"	6.07	0.280	11.0	9.50	8	1/4 x 3	4.07
8"	7.98	0.322	13.5	11.75	8	3/8 x 3	5.48
10"	10.02	0.365	16.0	14.25	12	3/8 x 3	6.89
12"	12.00	0.375	19.0	17.00	12	3/8 x 3	8.31
14"	13.25	0.375	21.0	19.75	12	3/8 x 3	9.37
16"	15.25	0.375	23.5	21.25	16	3/8 x 3	10.78
18"	17.25	0.375	25.0	22.75	16	3/8 x 3	12.20
20"	19.25	0.375	27.5	25.00	20	3/8 x 3	13.61
24"	23.25	0.375	32.0	29.50	20	3/8 x 3	16.44

