

VOLU-probe / SM with MOUNTING PLATE

AIRFLOW TRAVERSE PROBE

FOR CLEAN AIR APPLICATIONS ONLY

STANDARD CONSTRUCTION

Probe. Single 1/2" or 3/4" O.D. tube sensing manifold, mounting plate, identification tag, neoprene gasket
Material. 316 Stainless Steel Tube
Signal Connections. 1/4"-18 FPT

PERFORMANCE SPECIFICATIONS

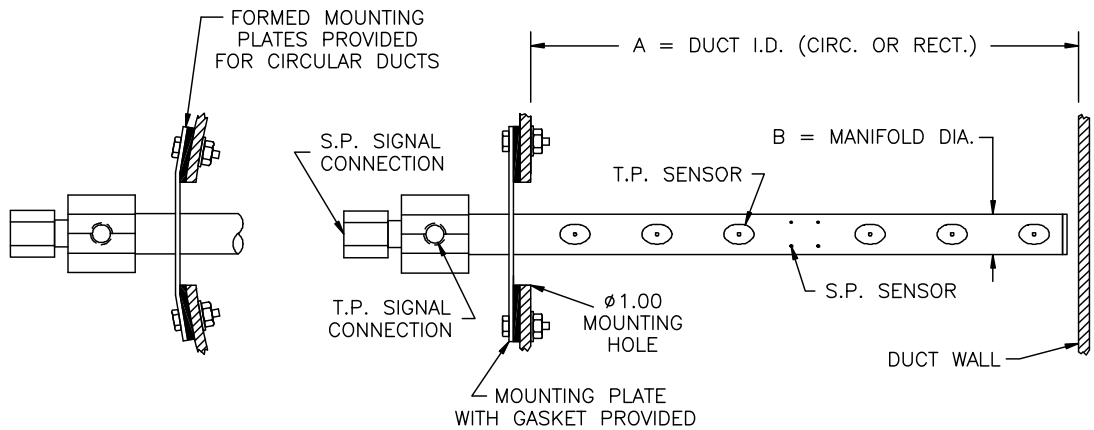
Accuracy. 2-3%; dependent upon quantity and placement of probes to achieve traverse of ducted airflow
Outputs. Individually averaged signals of total and static pressure
Operating Velocity. 400 - 10,000 FPM
Operating Temperature. Continuous operation to 900°F
Traverse Pattern. Rectangular Ducts: Equal Area Circular Ducts: Equal Concentric Area

OPTIONAL CONSTRUCTION

Signal Connections
 1/8"-27 FPT

High Temperature Gaskets
 Silicone, for continuous operation between 200°F and 400°F
 Ceramic Fiber, for continuous operation between 400°F and 900°F

DIMENSIONAL SPECIFICATIONS



DIMENSIONAL CHART		
A"	B"	MOUNTING PLATE
3-12	.50	4" x 4"
>12-36	.75	6" x 6"

NOTE: PROBES LONGER THAN 24" REQUIRE AN END SUPPORT. SEE SUBMITTAL SHEET 4.45.9

