

## CAMS COMBUSTION AIRFLOW MANAGEMENT SYSTEM

### STANDARD CONSTRUCTION

- Brass and Copper Construction    All wetted tubing, fittings and valves constructed of brass and/or copper. Enclosure is NEMA 4 painted steel. External connection fittings are stainless steel FPT.
- Stainless Steel Construction    All wetted tubing, fittings and valves constructed of 316 stainless steel. Enclosure is NEMA 4 painted steel. External connection fittings are stainless steel FPT.

### OPTIONAL CONSTRUCTION

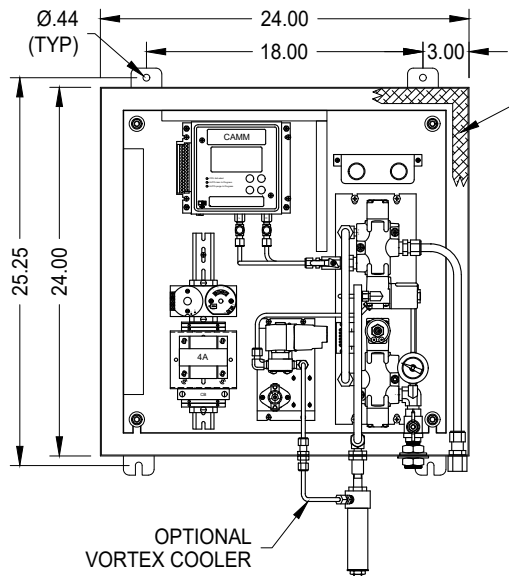
- NEMA 4X stainless steel enclosure
- EMC Rated NEMA 4X stainless steel enclosure
- Vortex Cooler (requires 80-150 max. psig air supply) \*
- Heater (requires 120VAC power supply) \*\*
- Purge start and/or purge interrupt pushbuttons
  - Panel mounted     Door mounted
- Viewing window on door (not available with EMC option)

Power Supply	In Rush	Hold
<input type="checkbox"/> 24VAC	85VA	73VA
<input type="checkbox"/> 24VDC	37W	37W
<input type="checkbox"/> 120VAC	106VA	92VA

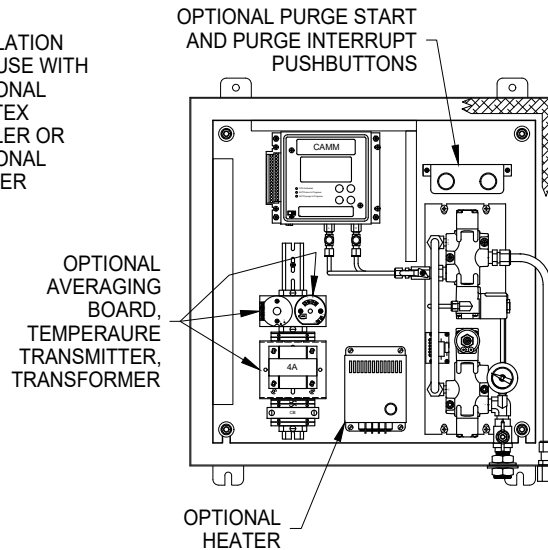
\* Add 2 watts @ 24-99V / 50-60Hz/DC for 400 BTUH @ 100 psig ≤ 70°F

\*\* Add 1.7A @ 120VAC for 200 watt heater

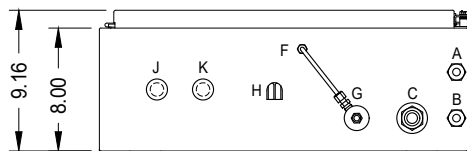
### DIMENSIONAL INFORMATION (Note: Refer to custom submittal drawings for work order specific details.)



**INTERIOR VIEW  
(W/OPTIONAL COOLER)**



**INTERIOR VIEW  
(W/OPTIONAL HEATER)**



**BOTTOM VIEW**

#### CONNECTION CODE:

A. STATIC PRESSURE (LO) SIGNAL FROM FLOW ELEMENT	1/2" (F)NPT
B. TOTAL PRESSURE (HI) SIGNAL FROM FLOW ELEMENT	1/2" (F)NPT
C. SUPPLY AIR 80-150 MAX. PSIG	1/2" (F)NPT
F. VORTEX COOLER AIR SUPPLY	N/A
G. VORTEX COOLER MOUNTING HOLE	N/A
H. VORTEX COOLER ENCLOSURE VENT	N/A
J. ELECTRICAL CONNECTION POWER WIRING	1/2" CONDUIT SEAL
K. ELECTRICAL CONNECTION SIGNAL WIRING	1/2" CONDUIT SEAL

P.O. Box 6358, Santa Rosa, CA 95406 (707) 544-2706  
www.airmonitor.com      amcsales@airmonitor.com