

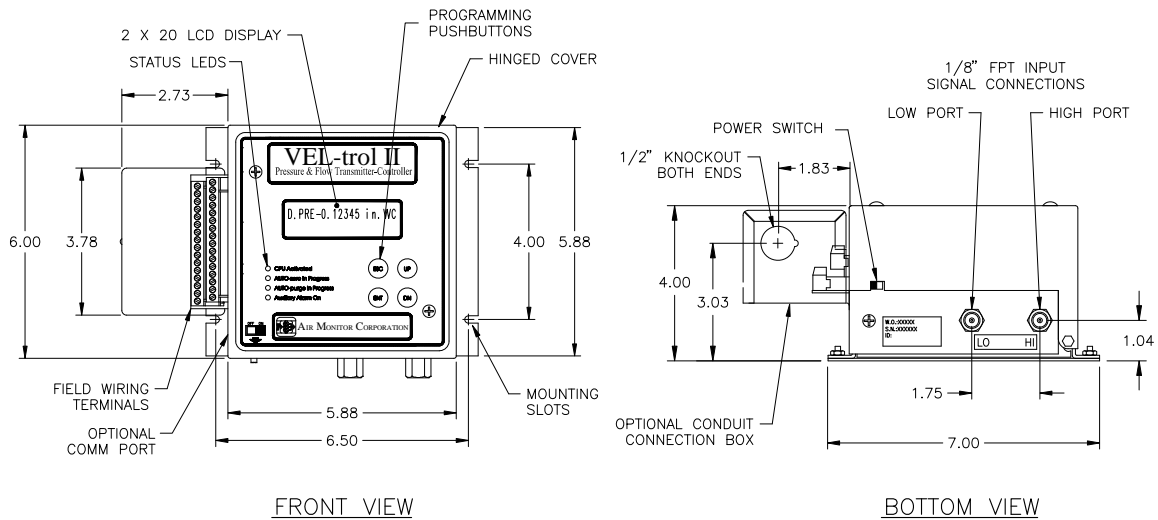
# VEL-trol II

## ULTRA-LOW RANGE DIFFERENTIAL PRESSURE/ FLOW TRANSMITTER / CONTROLLER

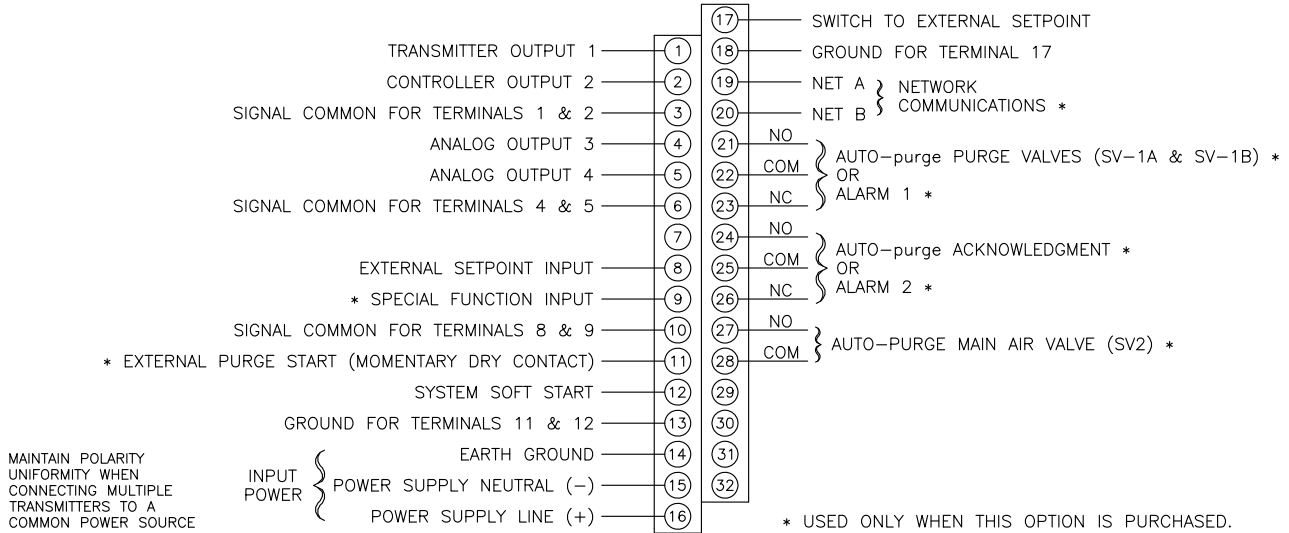
**PHYSICAL SPECIFICATIONS**

**Signal Connections.** High and low pressure, 1/8" FPT.  
**Electrical Connections.** External terminal strip with plug-in connectors. Optional terminal strip enclosure with dual 3/4" conduit connections.  
**Enclosure.** NEMA 1 aluminum enclosure.  
**Weight.** 4.1 lbs.

**DIMENSIONAL SPECIFICATIONS**



**WIRING DIAGRAM**



MAINTAIN POLARITY UNIFORMITY WHEN CONNECTING MULTIPLE TRANSMITTERS TO A COMMON POWER SOURCE

