

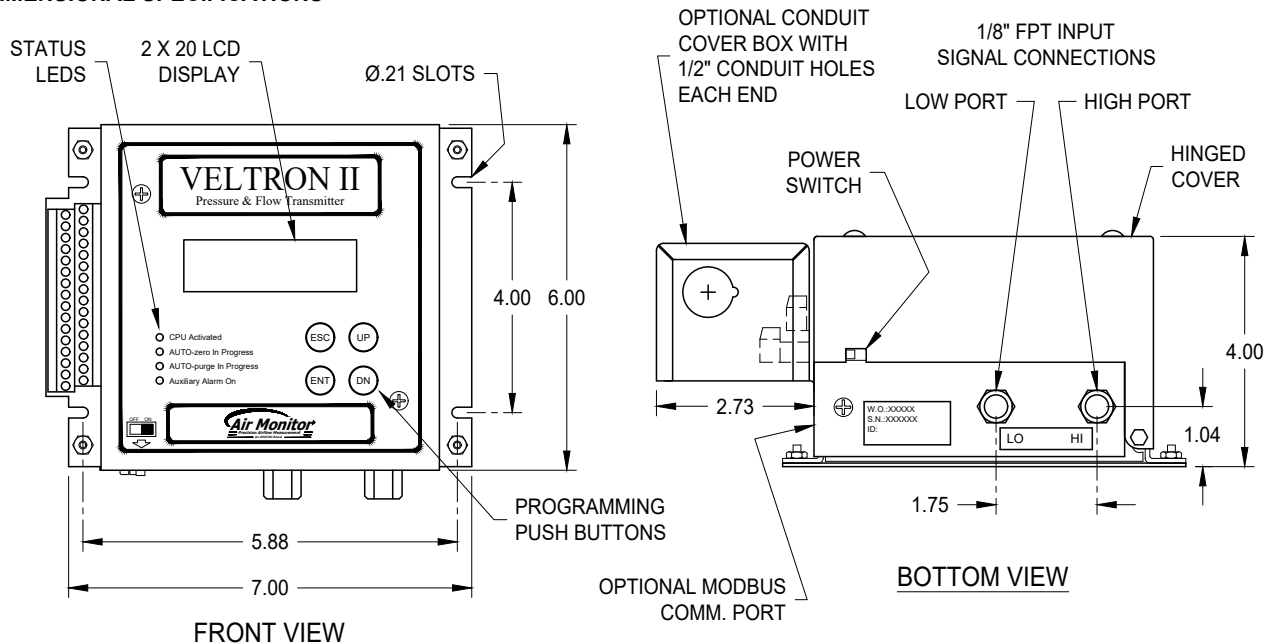
# VELTRON II

## ULTRA-LOW RANGE DIFFERENTIAL PRESSURE/ FLOW TRANSMITTER

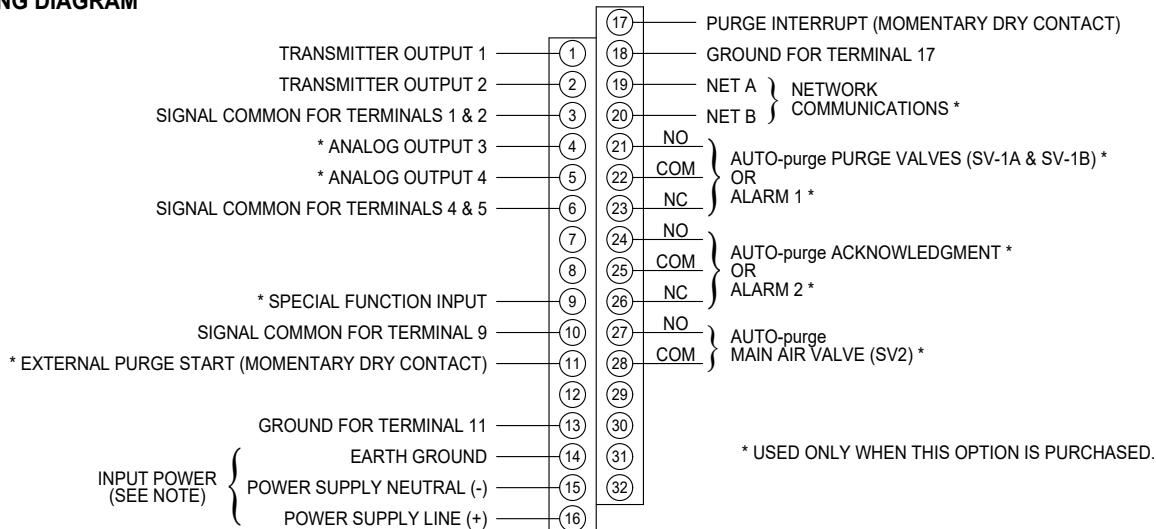
### PHYSICAL SPECIFICATIONS

**Signal Connections:** High and low pressure, 1/8" FPT.  
**Electrical Connections:** External terminal strip with plug-in connectors. Optional terminal strip enclosure with dual 1/2" conduit connections.  
**Enclosure:** NEMA 1 aluminum enclosure.  
**Weight:** 4.1 lbs.

### DIMENSIONAL SPECIFICATIONS



### WIRING DIAGRAM



NOTE: MAINTAIN POLARITY UNIFORMITY WHEN CONNECTING MULTIPLE TRANSMITTERS TO A COMMON POWER SOURCE.

P.O. Box 6358, Santa Rosa, CA 95406 (707) 544-2706  
 www.airmonitor.com amcsales@airmonitor.com

