

AUTO-purge III

STANDARD CONSTRUCTION

- Brass and Copper Construction All wetted tubing, fittings and valves constructed of brass and/or copper. Enclosure is NEMA 4 painted steel. External connection fittings are stainless steel FPT.
- Stainless Steel Construction All wetted tubing, fittings and valves constructed of 316 stainless steel. Enclosure is NEMA 4 painted steel. External connection fittings are stainless steel FPT.

OPTIONAL CONSTRUCTION

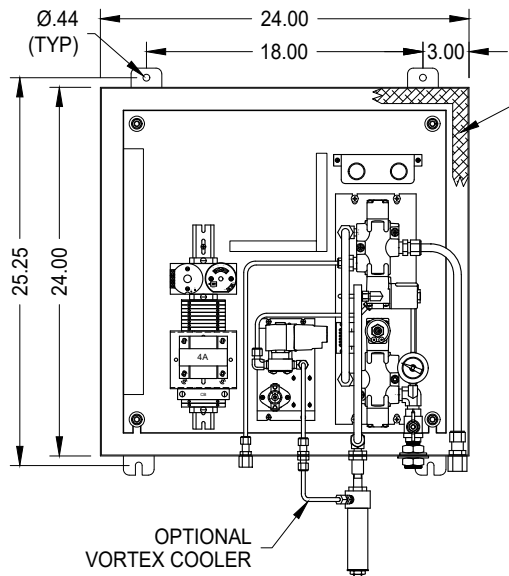
- NEMA 4X stainless steel enclosure
- Vortex Cooler (requires 80-150 max. psig air supply) *
- Heater (requires 120VAC power supply) **
- Purge start and/or purge interrupt pushbuttons
 - Panel mounted Door mounted

Power Supply	<u>In Rush</u>	<u>Hold</u>
<input type="checkbox"/> 24VAC	74VA	62VA
<input type="checkbox"/> 24VDC	28W	28W
<input type="checkbox"/> 120VAC	93VA	78VA

* Add 2 watts @ 24-99V / 50-60Hz/DC for 400 BTUH @ 100 psig ≤ 70°F

** Add 1.7A @ 120VAC for 200 watt heater

DIMENSIONAL INFORMATION (Note: Refer to custom submittal drawings for work order specific details.)



INTERIOR VIEW
(W/OPTIONAL COOLER)

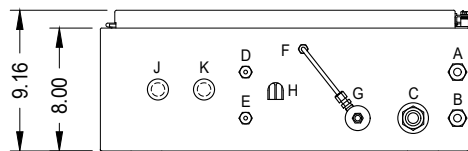
INSULATION FOR USE WITH OPTIONAL VORTEX COOLER OR OPTIONAL HEATER

OPTIONAL PURGE START AND PURGE INTERRUPT PUSHBUTTONS

OPTIONAL AVERAGING BOARD, TEMPERATURE TRANSMITTER, TRANSFORMER

OPTIONAL HEATER

INTERIOR VIEW
(W/OPTIONAL HEATER)



BOTTOM VIEW

CONNECTION CODE:

A. STATIC PRESSURE (LO) SIGNAL FROM FLOW ELEMENT	1/2" (F)NPT
B. TOTAL PRESSURE (HI) SIGNAL FROM FLOW ELEMENT	1/2" (F)NPT
C. SUPPLY AIR 80-150 MAX. PSIG	1/2" (F)NPT
D. STATIC PRESSURE TO REMOTE TRANSMITTER	1/4" (F)NPT
E. TOTAL PRESSURE TO REMOTE TRANSMITTER	1/4" (F)NPT
F. VORTEX COOLER AIR SUPPLY	N/A
G. VORTEX COOLER MOUNTING HOLE	N/A
H. VORTEX COOLER ENCLOSURE VENT	N/A
J. ELECTRICAL CONNECTION POWER WIRING	1/2" CONDUIT SEAL
K. ELECTRICAL CONNECTION SIGNAL WIRING	1/2" CONDUIT SEAL

P.O. Box 6358, Santa Rosa, CA 95406 (707) 544-2706
www.airmonitor.com amcsales@airmonitor.com