

AUTO-purge III with Integral Transmitter

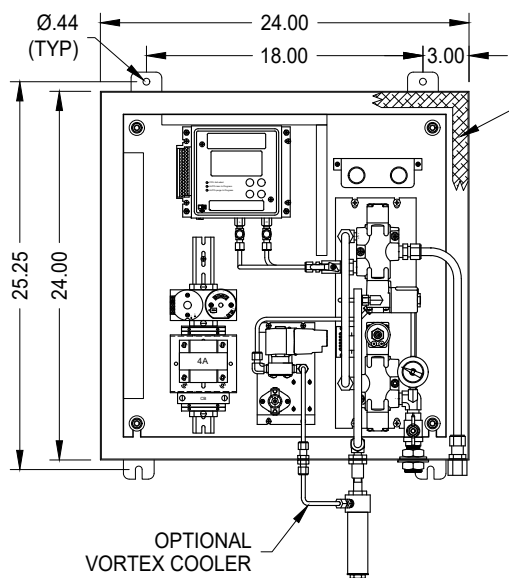
STANDARD CONSTRUCTION

- Brass and Copper Construction All wetted tubing, fittings and valves constructed of brass and/or copper. Enclosure is NEMA 4 painted steel. External connection fittings are stainless steel FPT.
- Stainless Steel Construction All wetted tubing, fittings and valves constructed of 316 stainless steel. Enclosure is NEMA 4 painted steel. External connection fittings are stainless steel FPT.

OPTIONAL CONSTRUCTION

- | | | | | | | | | | | | | |
|---|---|--------------------------------|-----------------|--------------|--------------------------------|-----|-----|---------------------------------|-------|------|---|---|
| <ul style="list-style-type: none"> <input type="checkbox"/> NEMA 4X stainless steel enclosure <input type="checkbox"/> EMC Rated NEMA 4X stainless steel enclosure <input type="checkbox"/> Vortex Cooler (requires 80-150 max. psig air supply) * <input type="checkbox"/> Heater (requires 120VAC power supply) ** <input type="checkbox"/> Purge start and/or purge interrupt pushbuttons <ul style="list-style-type: none"> <input type="checkbox"/> Panel mounted <input type="checkbox"/> Door mounted <input type="checkbox"/> Viewing window on door (not available with EMC option) | <p>Power Supply</p> <table border="0" style="width: 100%;"> <tr> <td style="text-align: left;"><input type="checkbox"/> 24VAC</td> <td style="text-align: center;">In Rush
85VA</td> <td style="text-align: center;">Hold
73VA</td> </tr> <tr> <td style="text-align: left;"><input type="checkbox"/> 24VDC</td> <td style="text-align: center;">37W</td> <td style="text-align: center;">37W</td> </tr> <tr> <td style="text-align: left;"><input type="checkbox"/> 120VAC</td> <td style="text-align: center;">106VA</td> <td style="text-align: center;">92VA</td> </tr> </table> | <input type="checkbox"/> 24VAC | In Rush
85VA | Hold
73VA | <input type="checkbox"/> 24VDC | 37W | 37W | <input type="checkbox"/> 120VAC | 106VA | 92VA | <p>Transmitter Module</p> <ul style="list-style-type: none"> <input type="checkbox"/> Veltron II <input type="checkbox"/> Vel-trol II <input type="checkbox"/> MASS-tron II | <p>* Add 2 watts @ 24-99V / 50-60Hz/DC for 400 BTUH @ 100 psig ≤ 70°F</p> <p>** Add 1.7A @ 120VAC for 200 watt heater</p> |
| <input type="checkbox"/> 24VAC | In Rush
85VA | Hold
73VA | | | | | | | | | | |
| <input type="checkbox"/> 24VDC | 37W | 37W | | | | | | | | | | |
| <input type="checkbox"/> 120VAC | 106VA | 92VA | | | | | | | | | | |

DIMENSIONAL INFORMATION (Note: Refer to custom submittal drawings for work order specific details.)



INTERIOR VIEW
(W/OPTIONAL COOLER)

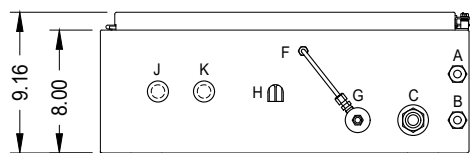
INSULATION
FOR USE WITH
OPTIONAL
VORTEX
COOLER OR
OPTIONAL
HEATER

OPTIONAL PURGE START
AND PURGE INTERRUPT
PUSHBUTTONS

OPTIONAL
AVERAGING
BOARD,
TEMPERAURE
TRANSMITTER,
TRANSFORMER

OPTIONAL
HEATER

INTERIOR VIEW
(W/OPTIONAL HEATER)



BOTTOM VIEW

CONNECTION CODE:

A. STATIC PRESSURE (LO) SIGNAL FROM FLOW ELEMENT	1/2" (F)NPT
B. TOTAL PRESSURE (HI) SIGNAL FROM FLOW ELEMENT	1/2" (F)NPT
C. SUPPLY AIR 80-150 MAX. PSIG	1/2" (F)NPT
F. VORTEX COOLER AIR SUPPLY	N/A
G. VORTEX COOLER MOUNTING HOLE	N/A
H. VORTEX COOLER ENCLOSURE VENT	N/A
J. ELECTRICAL CONNECTION POWER WIRING	1/2" CONDUIT SEAL
K. ELECTRICAL CONNECTION SIGNAL WIRING	1/2" CONDUIT SEAL

P.O. Box 6358, Santa Rosa, CA 95406 (707) 544-2706
 www.airmonitor.com amcsales@airmonitor.com