

VOLU-probe / 1SS – INDUSTRIAL EXTERNALLY MOUNTED STAINLESS STEEL AIRFLOW TRAVERSE PROBE

STANDARD CONSTRUCTION

Probe. 1/2", 3/4", or 1" tube sensing manifolds, threaded end support, washer and nut, mounting plate, signal connection fittings, and identification tag, all fabricated of Type 316 stainless steel.

Mounting. External duct mounted. Threaded end support for probes greater than 18" long.

Mounting Gasket. Neoprene.

Connection Fittings. 1/2" FPT stainless steel.

Operating Temperature. Continuous operation to 900°F.

PERFORMANCE SPECIFICATIONS

Accuracy. 2-3%; dependent upon quantity and placement of probes to achieve traverse of ducted airflow.

Outputs. Individually averaged signals of total and static pressure.

Operating Velocity. 400-10,000 FPM.

Directional Sensitivity. Not measurably affected by directional airflows and pitch and yaw angles up to 30°.

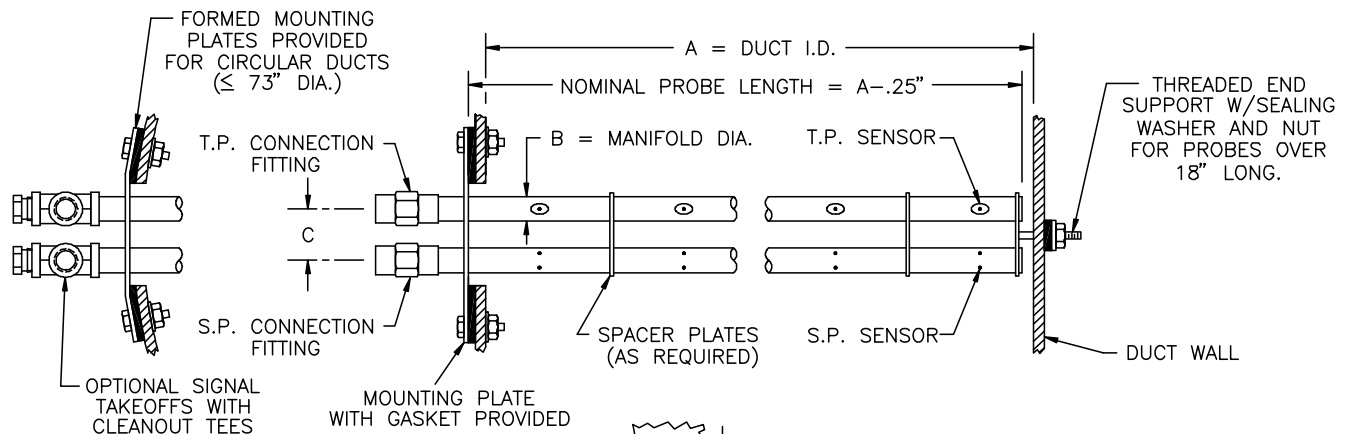
Traverse Pattern. On an equal area basis for rectangular probes. On an equal concentric area basis for circular probes.

Resistance. Less than 0.1 times the velocity pressure head at probe operating velocity.

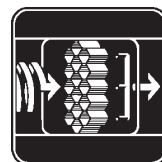
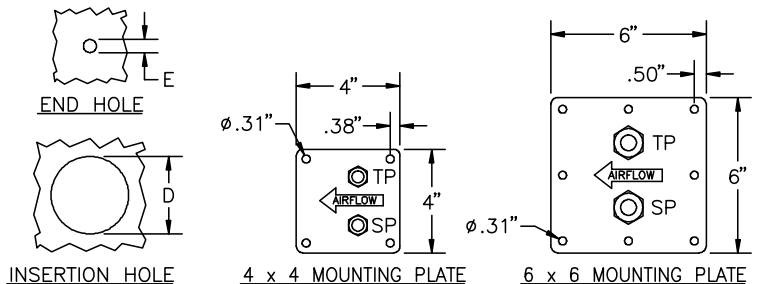
OPTIONAL CONSTRUCTION

<p>Connection Fitting.</p> <p><input type="checkbox"/> 1/4" Compression</p> <p><input type="checkbox"/> 1/2" Compression</p>	<p>Signal Connection.</p> <p><input type="checkbox"/> Cleanout</p>	<p>High Temperature Gaskets.</p> <p><input type="checkbox"/> Silicone; for continuous operation between 200°F and 400°F.</p> <p><input type="checkbox"/> Fiber; for continuous operation between 400°F and 900°F.</p>
---	---	--

DIMENSIONAL SPECIFICATIONS



DIMENSIONAL CHART					
A"	B"	C"	D"	E"	MOUNTING PLATE
12-18	.50	1.50	2.50	NONE	4" x 4"
>18-24	.50	1.50	2.50	.31	
>24-120	.75	2.00	4.00	.38	6" x 6"
>120-240	1.00	2.25	4.00	.56	6" x 6"



AIR MONITOR
CORPORATION