

# VOLU-probe / 2SS – COMMERCIAL INTERNALLY MOUNTED STAINLESS STEEL AIRFLOW TRAVERSE PROBE

### STANDARD CONSTRUCTION

**Probe.** 1/2" or 3/4" tube, Type 316 stainless steel.  
**Mounting.** Type 316 stainless steel dual end mounting plates.  
**Connection Fittings.** 1/4" FPT stainless steel.  
**Identification Tag.** Engraved Type 316 stainless steel.

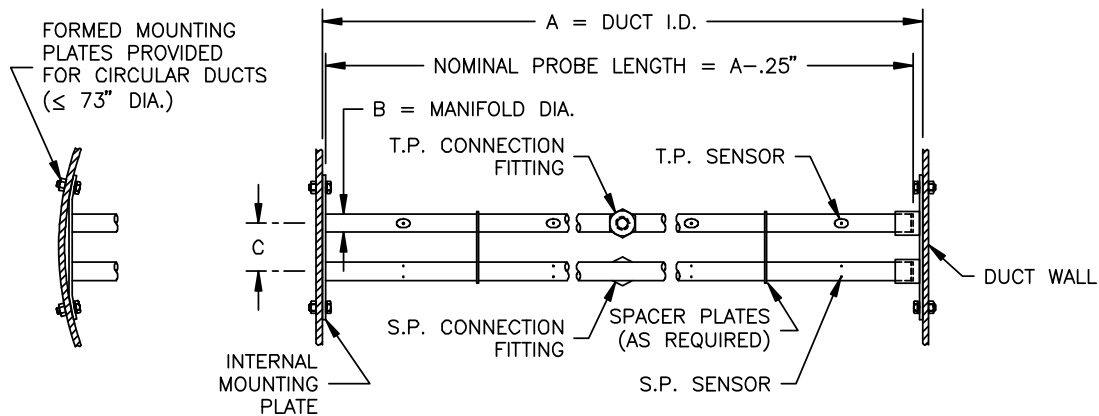
### PERFORMANCE SPECIFICATIONS

**Accuracy.** 2-3%; dependent upon quantity and placement of probes to achieve traverse of ducted airflow.  
**Outputs.** Individually averaged signals of total and static pressure.  
**Operating Velocity.** 400-10,000 FPM.  
**Operating Temperature.** Continuous operation to 200°F.  
**Directional Sensitivity.** Not measurably affected by directional airflows with pitch and yaw angles up to 30°.  
**Traverse Pattern.** On an equal area basis for rectangular probes. On an equal concentric area basis for circular probes.  
**Resistance.** Less than 0.1 times the velocity pressure head at probe operating velocity.

### OPTIONAL CONSTRUCTION

**Connection Fittings** Stainless steel, 1/4" compression x 1/4" MPT  
 **Non-Standard Sensor Pattern** For internal or external insulation  
 **PVC Construction**

### DIMENSIONAL SPECIFICATIONS



DIMENSIONAL CHART			
A"	B"	C"	MOUNTING PLATE
12-24	.50	1.50	4" x 4"
>24-120	.75	2.00	6" x 6"

