

# CAMS with Rapid Stop COMBUSTION AIRFLOW MANAGEMENT SYSTEM

### STANDARD CONSTRUCTION

- Brass and Copper Construction      All wetted tubing, fittings, and valves constructed of copper and/or brass. Enclosure is NEMA 4 painted steel. External connection fittings are stainless steel FPT.
- Stainless Steel Construction      All wetted tubing, fittings, and valves constructed of 316 stainless steel. Enclosure is NEMA 4 painted steel. External connection fittings are stainless steel FPT.

### OPTIONAL CONSTRUCTION

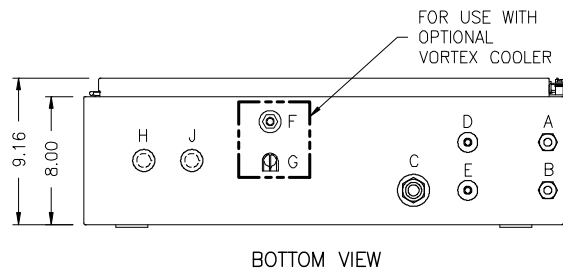
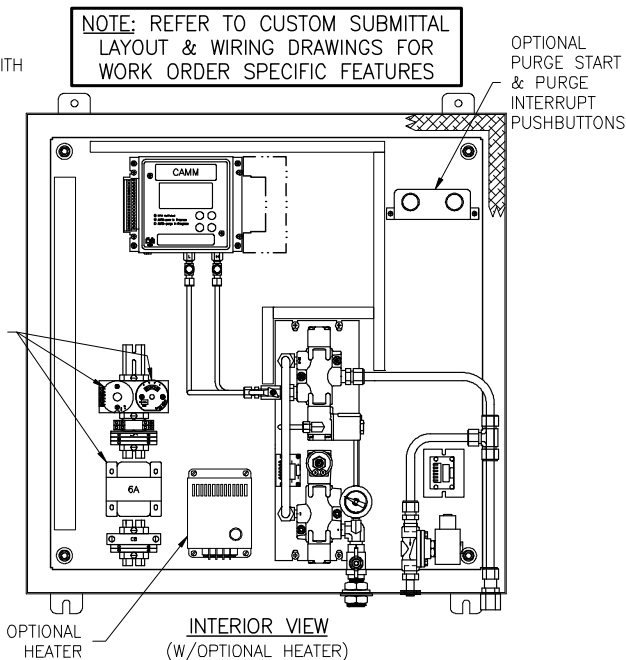
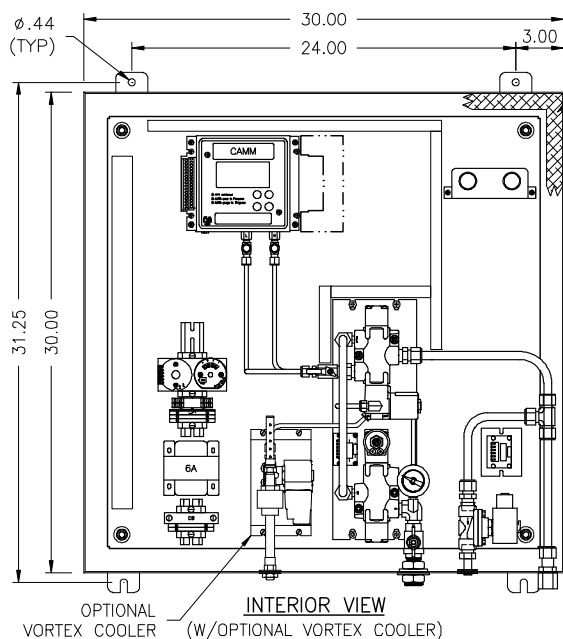
- NEMA 4X Stainless Steel Enclosure
- Vortex Cooler. Requires 80-100 psi air supply\*
- Enclosure Heater. Requires 120VAC power supply\*\*
- Purge start and/or purge interrupt pushbuttons
  - Panel mounted       Door mounted
- Viewing Window

#### Power Supply

(check one)	<u>In Rush</u>	<u>Hold</u>
<input type="checkbox"/> 24VAC	225VA	123VA
<input type="checkbox"/> 24VDC	61W	61W
<input type="checkbox"/> 120VAC	282VA	155VA

\* Add 2 watts @ 24-99V / 50-60Hz/DC for 400 BTUH @ 100 psig ≤70°F  
 \*\*Add 1.7A @ 120VAC for 200 watt heater

### DIMENSIONAL SPECIFICATIONS



#### CONNECTION CODE:

A. STATIC PRESSURE (LO) SIGNAL FROM FLOW ELEMENT	1/2" (F)NPT
B. TOTAL PRESSURE (HI) SIGNAL FROM FLOW ELEMENT	1/2" (F)NPT
C. SUPPLY AIR 80-125 PSIG	1/2" (F)NPT
D. STATIC PRESSURE RAPID STOP VENT	N/A
E. TOTAL PRESSURE RAPID STOP VENT	N/A
F. VORTEX COOLER EXHAUST	N/A
G. VORTEX COOLER ENCLOSURE VENT	N/A
H. ELECTRICAL CONNECTION POWER WIRING	1/2" CONDUIT SEAL
J. ELECTRICAL CONNECTION SIGNAL WIRING	1/2" CONDUIT SEAL

