

AUTO-purge III with Smart Relay

STANDARD CONSTRUCTION

Brass and Copper Construction

All wetted tubing, fittings, and valves constructed of copper and/or brass.
Enclosure is NEMA 4 painted steel.
External connection fittings are stainless steel FPT.

Stainless Steel Construction

All wetted tubing, fittings, and valves are constructed of 316 stainless steel.
Enclosure is NEMA 4 painted steel.
External connection fittings are stainless steel FPT.

OPTIONAL CONSTRUCTION

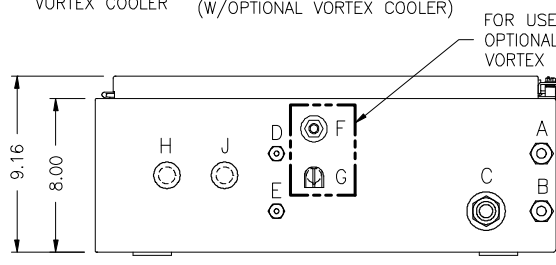
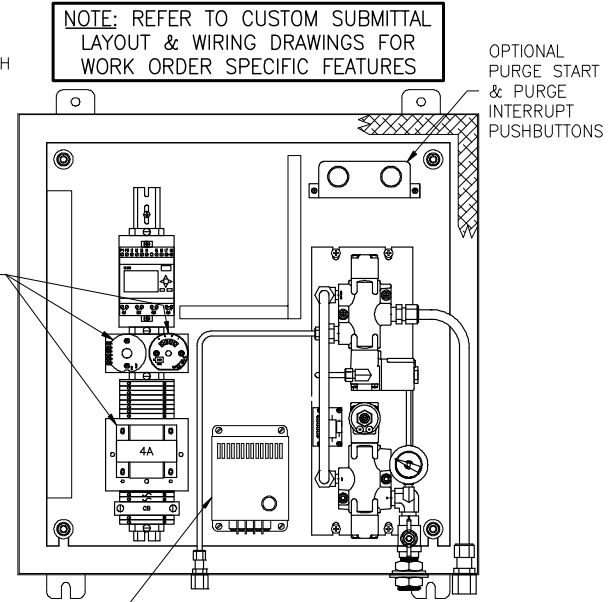
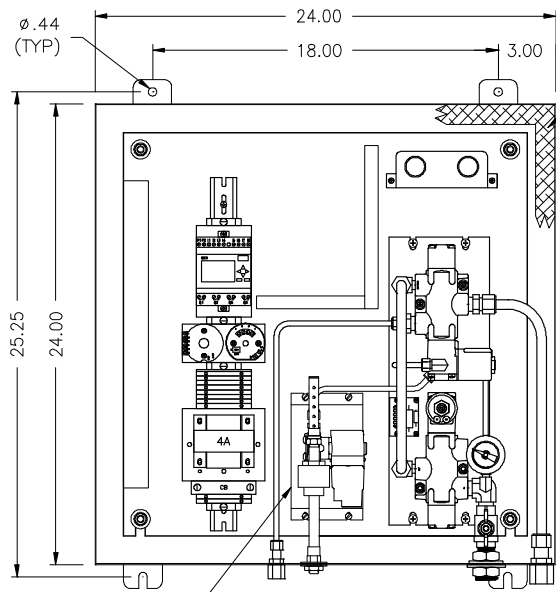
- NEMA 4X Stainless Steel Enclosure
- Vortex Cooler. Requires 80-100 psi air supply*
- Enclosure Heater, Requires 120VAC power supply**
- Purge start and/or purge interrupt pushbuttons
 - Panel mounted
 - Door mounted

Power Supply	In Rush	Hold
<input type="checkbox"/> 24VAC	79VA	67VA
<input type="checkbox"/> 24VDC	31W	31W
<input type="checkbox"/> 120VAC	99VA	84VA

* Add 21VA In Rush, 12VA Hold (8W) for 400 BTUH @ 100 psig ≤70°F

**Add 1.7A @ 120VAC for 200 watt heater

DIMENSIONAL SPECIFICATIONS



CONNECTION CODE:

A. STATIC PRESSURE (LO) SIGNAL FROM FLOW ELEMENT	1/2" (F)NPT
B. TOTAL PRESSURE (HI) SIGNAL FROM FLOW ELEMENT	1/2" (F)NPT
C. SUPPLY AIR 80-125 PSIG	1/2" (F)NPT
D. STATIC PRESSURE TO REMOTE TRANSMITTER	1/4" (F)NPT
E. TOTAL PRESSURE TO REMOTE TRANSMITTER	1/4" (F)NPT
F. VORTEX COOLER EXHAUST	N/A
G. VORTEX COOLER ENCLOSURE VENT	N/A
H. ELECTRICAL CONNECTION POWER WIRING	1/2" CONDUIT SEAL
J. ELECTRICAL CONNECTION SIGNAL WIRING	1/2" CONDUIT SEAL

BOTTOM VIEW



AIR MONITOR
CORPORATION